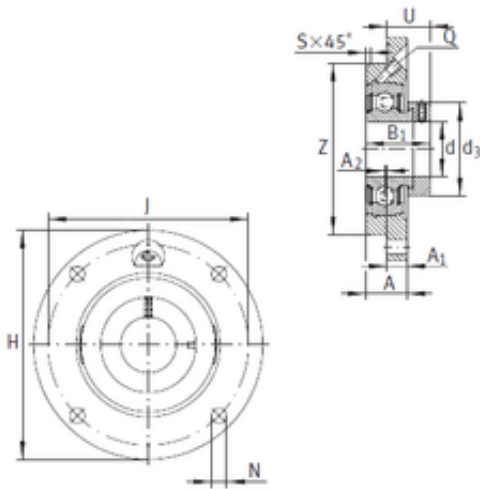




# BEARING DRIVESHAFT, INC.



PME35-N Bearing 2D drawings and 3D CAD models

**BT4B 328282/HA1**  
**489.026mm\*634.873mm\*320.675mm Four-row**  
**Tapered Roller Bearings**

Bearing No. PME35-N

Bore Diameter	35 mm
d	35 mm
U	28,5 mm
Thread (Q)	M6
Z	90 mm
d3	51 mm
A	20,5 mm
A1	10 mm
B1	39 mm
H	135 mm
J	110 mm
N	11,5 mm
S	2 mm
A2	1 mm
Weight	1,22 Kg
Basic dynamic load rating (C)	25,5 kN
Category	Flange Block Bearings
Inventory	0.0
Manufacturer Name	SCHAEFFLER GROUP
Minimum Buy Quantity	N/A
Weight / Kilogram	1.521
EAN	4012802837445
Product Group	M06110
Number of Mounting Holes	4



## BEARING DRIVESHAFT, INC.

Mounting Method	Eccentric Collar
Housing Style	4 Bolt Round Flange Cartridge
Rolling Element	Ball Bearing
Housing Material	Cast Iron
Expansion / Non-expansion	Non-expansion
Mounting Bolts	11.5 Millimeter
Relubricatable	Yes
Insert Part Number	GRAE35NPPB
Seals	Double Lip Contact
Housing Configuration	1 Piece Solid
Pilot Configuration	With Pilot
Inch - Metric	Metric
Long Description	4 Bolt Round Flange Cartridge; 35MM Bore; 110MM Bolt Circle; 78.5MM Bolt Spacing; 1 Piece Solid; Eccentric Collar Mount; Cast Iron; Ball Bearing; 38.9MM Length Thru Bore; Relubricatable; Double Lip Co
Other Features	Single Row   Centering Spigot   With Set Screw
Category	Flange Block
UNSPSC	31171501
Harmonized Tariff Code	8483.20.40.40
Noun	Bearing
Keyword String	Flanged
Manufacturer URL	<a href="http://www.ina.com">http://www.ina.com</a>
Manufacturer Item Number	PME35N
Weight / LBS	2.8
Nominal Bolt Circle Diameter Round	4.3 Inch   110 Millimeter
Cartridge Pilot Diameter	3.543 Inch   90 Millimeter
Cartridge Pilot Depth	0.335 Inch   8.5 Millimeter



## BEARING DRIVESHAFT,INC.

Bore	1.378 Inch   35 Millimeter
Bolt Spacing	3.1 Inch   78.5 Millimeter
Length Thru Bore	1.531 Inch   38.9 Millimeter